



Simple Set Max (PIC Valves) – Submittal/Technical Data

2-1/2" to 12" – ANSI 250 – Spring & Non-Spring Return – On/Off, Floating & Modulating

Technical Specifications - Valve		
Service	Hot Water, Chilled Water, 50-50 Glycol Solutions	
Size Range	2-Way	2-1/2" through 12" (DN 65 to 300)
Cold Working Pressure	2-1/2" through 12" - 500 PSI @ 100°F, ANSI 250	
Media Temperature Range	2.5" to 5"	32°F to 248°F (0°C to 120°C)
	6" to 12"	32°F to 230°F (0°C to 110°C)
Min. Operational ΔP	Refer to Flow Rate Charts on Pages SSM-3 thru SSM-6	
Max. Operational ΔP	116 PSID (800kPa)	
Max. Close-Off Pressure	116 PSI (800kPa)	
Valve Operation	Push down to close, Normally Open	
Shut-Off Leakage	<ANSI Class IV (0.01%)	
Flow Rate Range	19.27 to 2641 GPM	
Stroke	2.5" & 3"	0.79" (20mm)
	4" & 5"	1.58" (40mm)
	6" & 8"	1.69" (43mm)
	10" & 12"	1.89" (48mm)
Rangeability	>100:1	
Flange Connections	ANSI 250	
Test Ports	1/4" NPT	
Materials	Body	2-1/2", 3", 5" & 6" - Cast Iron 4", 8", 10" & 12" - Ductile Iron
	Flow Regulation Unit	Stainless Steel
	Diaphragm	Reinforced EPDM (Ethylene Propylene Diene Monomer)
	Spring	Stainless Steel
	O-Rings	EPDM
Warranty	5 Years limited from time of shipment.	
Weights	See Dimensions	

Disclaimer - The pipe system shall be properly ventilated to avoid risk of air pockets. Glycolic mixtures up to 50% are applicable (both ethylene and propylene). Bray can accept no responsibility if another actuator is used instead of the Bray actuator recommendation: Water treatment to VDI 2035.

Simple Set Max - Model Number Matrix

SSM Prefix: Simple Set Max							Valve Series	
5	Valve Size (2-1/2" to 12")						Valve Size	
	A250	End Connections - ANSI Flanged					End Connections	
		L	Flow Range Pressure Cartridge - (H) High, (L) Low				Cartridge	
			X	Flow Setting GPM. See Charts on Page SSM-3 thru SSM-6			GPM	
				/			/	
				PAM24-112	24V On/Off, Floating and Modulating		Actuator Selection	
				GA24-562	24V On/Off, Floating and Modulating			
				GASRE24-450	24V On/Off, Floating and Modulating, Shaft Normally Retracted			
				GASEX24-450	24V On/Off, Floating and Modulating, Shaft Normally Extended			
SSM	5	A250	L	246	/	GA24-562	5" Simple Set Max Body, NPT End Connections, Low Flow Rate, GPM of 246, 24V GA24-562 Actuator	Example

Simple Set Max - Dimensions

Simple Set Max Dimensions — 2-1/2" - 3" — ANSI 250 with PAM24-112 Actuator

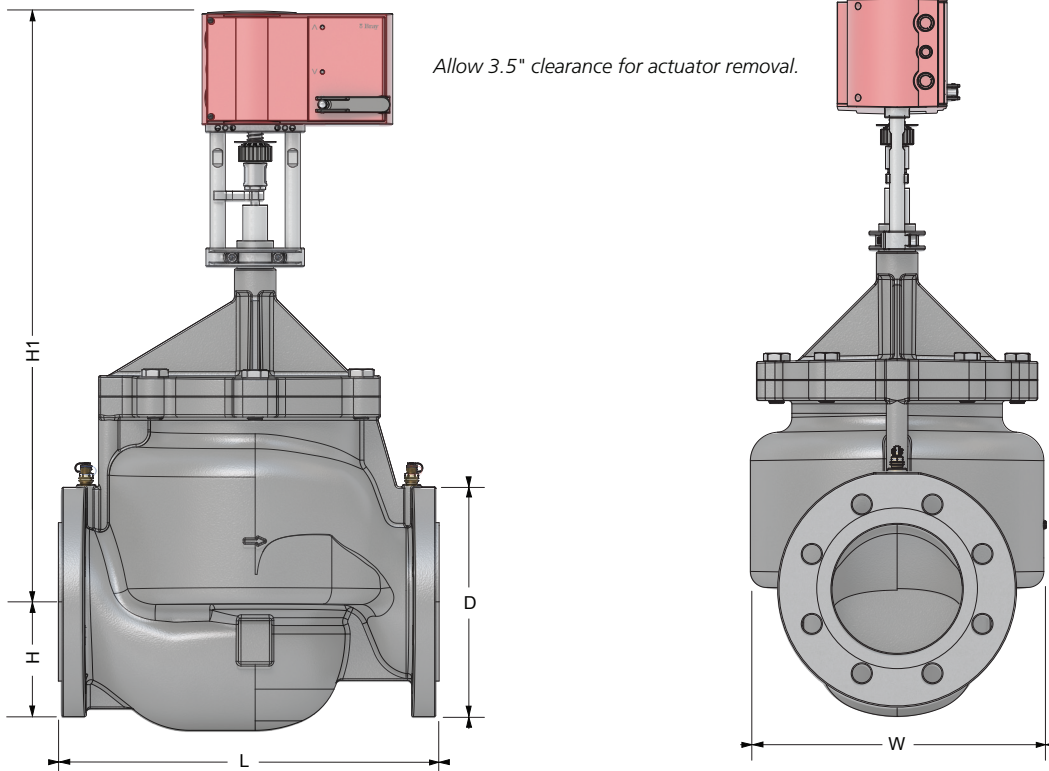
ANSI 250 Model Number	Valve Size		Flow Range	Please Reference the Illustration											
				L		W		H		H1		D		Weight	
x = Flow in GPM	in.	mm	GPM	in.	mm	in.	mm	in.	mm	in.	mm	in.	mm	lb.	kg.
SSM-250-A250-L-x	2.5	65	19 - 110	11.50	292	7.50	191	3.70	95	19.29	490	7.50	189	58.0	26
SSM-250-A250-H-x	2.5	65	26 - 154	11.50	292	7.50	191	3.70	95	19.29	490	7.50	189	58.0	26
SSM-3-A250-L-x	3	80	26 - 150	12.50	318	8.30	212	4.10	104	20.51	521	8.20	209	82.2	37
SSM-3-A250-H-x	3	80	31 - 189	12.50	318	8.30	212	4.10	104	20.51	521	8.20	209	82.2	37

Simple Set Max Dimensions — 2-1/2" - 12" — ANSI 250 with GA(S) Series Actuators

ANSI 250 Model Number	Valve Size		Flow Range	Please Reference the Illustration											
				L		W		H		H1		D		Weight	
x = Flow in GPM	in.	mm	GPM	in.	mm	in.	mm	in.	mm	in.	mm	in.	mm	lb.	kg.
SSM-250-A250-L-x	2.5	65	19 - 110	11.50	292	7.50	191	3.70	95	19.20	487	7.50	189	64.0	29
SSM-250-A250-H-x	2.5	65	26 - 154	11.50	292	7.50	191	3.70	95	19.20	487	7.50	189	64.0	29
SSM-3-A250-L-x	3	80	26 - 150	12.50	318	8.30	212	4.10	104	20.00	509	8.20	209	88.2	40
SSM-3-A250-H-x	3	80	31 - 189	12.50	318	8.30	212	4.10	104	20.00	509	8.20	209	88.2	40
SSM-4-A250-L-x	4	100	53 - 299	14.50	368	10.80	274	5.00	127	25.30	643	10.00	253	167.6	76
SSM-4-A250-H-x	4	100	65 - 396	14.50	368	10.80	274	5.00	127	25.30	643	10.00	253	167.6	76
SSM-5-A250-L-x	5	125	81 - 484	16.60	422	12.30	312	5.50	139	26.30	668	10.90	277	231.5	105
SSM-5-A250-H-x	5	125	101 - 594	16.60	422	12.30	312	5.50	139	26.30	668	10.90	277	231.5	105
SSM-6-A250-L-x	6	150	113 - 652	18.60	473	14.40	365	6.30	159	28.10	713	12.50	317	319.7	145
SSM-6-A250-H-x	6	150	141 - 859	18.60	473	14.40	365	6.30	159	28.10	713	12.50	317	319.7	145
SSM-8-A250-L-x	8	200	419 - 925	23.60	600	18.60	472	7.50	190	28.20	715	15.00	380	392.4	178
SSM-8-A250-H-x	8	200	572 - 1233	23.60	600	18.60	472	7.50	190	28.20	715	15.00	380	392.4	178
SSM-10-A250-L-x	10	250	837 - 2091	28.80	730	21.70	551	8.70	222	34.20	870	17.50	444	685.6	311
SSM-10-A250-H-x	10	250	1079 - 2642	28.80	730	21.70	551	8.70	222	34.20	870	17.50	444	685.6	311
SSM-12-A250-L-x	12	300	837 - 2091	33.50	850	28.40	721	10.20	260	34.20	869	20.50	520	1047.2	475
SSM-12-A250-H-x	12	300	1079 - 2642	33.50	850	28.40	721	10.20	260	34.20	869	20.50	520	1047.2	475

GA Series (Non-Spring Return) Actuators only

Weights shown are for valve/actuator assemblies
Add 3.2 lbs. (1.5 kg) for spring return GA(S) actuator



Simple Set Max - Flow Rate Charts

2-1/2"		2-1/2" Low Flow Rate Cartridge		
Model Number	Pre-Set	Min. Delta P	Flow m ³ /h	Flow GPM
SSM-250-A250-L-19	0.6	2.18	4.4	19
SSM-250-A250-L-24	0.8	2.18	5.6	24
SSM-250-A250-L-29	1.0	2.18	6.6	29
SSM-250-A250-L-34	1.2	2.31	7.7	34
SSM-250-A250-L-38	1.4	2.41	8.6	38
SSM-250-A250-L-42	1.6	2.49	9.6	42
SSM-250-A250-L-46	1.8	2.55	10.5	46
SSM-250-A250-L-51	2.0	2.61	11.5	51
SSM-250-A250-L-55	2.2	2.66	12.5	55
SSM-250-A250-L-60	2.4	2.7	13.5	60
SSM-250-A250-L-65	2.6	2.76	14.7	65
SSM-250-A250-L-70	2.8	2.82	15.8	70
SSM-250-A250-L-75	3.0	2.9	17.1	75
SSM-250-A250-L-81	3.2	3	18.5	81
SSM-250-A250-L-88	3.4	3.11	19.9	88
SSM-250-A250-L-95	3.6	3.26	21.5	95
SSM-250-A250-L-102	3.8	3.42	23.2	102
SSM-250-A250-L-110	4.0	3.59	25.0	110

2-1/2"		2-1/2" High Flow Rate Cartridge		
Model Number	Pre-Set	Min. Delta P	Flow m ³ /h	Flow GPM
SSM-250-A250-H-26	0.6	4.35	6.0	26
SSM-250-A250-H-33	0.8	4.35	7.6	33
SSM-250-A250-H-40	1.0	4.35	9.1	40
SSM-250-A250-H-46	1.2	4.51	10.5	46
SSM-250-A250-H-53	1.4	4.6	11.9	53
SSM-250-A250-H-59	1.6	4.64	13.3	59
SSM-250-A250-H-65	1.8	4.65	14.7	65
SSM-250-A250-H-71	2.0	4.64	16.0	71
SSM-250-A250-H-77	2.2	4.64	17.5	77
SSM-250-A250-H-84	2.4	4.67	19.0	84
SSM-250-A250-H-91	2.6	4.74	20.6	91
SSM-250-A250-H-98	2.8	4.87	22.3	98
SSM-250-A250-H-106	3.0	5.09	24.1	106
SSM-250-A250-H-114	3.2	5.4	26.0	114
SSM-250-A250-H-123	3.4	5.81	28.0	123
SSM-250-A250-H-133	3.6	6.36	30.2	133
SSM-250-A250-H-143	3.8	7.06	32.5	143
SSM-250-A250-H-154	4.0	8.01	35.0	154

3"		3" Low Flow Rate Cartridge		
Model Number	Pre-Set	Min. Delta P	Flow m ³ /h	Flow GPM
SSM-3-A250-L-26	0.6	2.32	5.3	26
SSM-3-A250-L-30	0.8	2.32	6.9	30
SSM-3-A250-L-36	1.0	2.33	8.3	36
SSM-3-A250-L-42	1.2	2.41	9.6	42
SSM-3-A250-L-48	1.4	2.47	10.9	48
SSM-3-A250-L-54	1.6	2.52	12.2	54
SSM-3-A250-L-59	1.8	2.57	13.5	59
SSM-3-A250-L-65	2.0	2.61	14.8	65
SSM-3-A250-L-71	2.2	2.65	16.2	71
SSM-3-A250-L-77	2.4	2.7	17.6	77
SSM-3-A250-L-84	2.6	2.75	19.1	84
SSM-3-A250-L-91	2.8	2.82	20.7	91
SSM-3-A250-L-99	3.0	2.9	22.4	99
SSM-3-A250-L-107	3.2	3	24.3	107
SSM-3-A250-L-116	3.4	3.13	26.4	116
SSM-3-A250-L-126	3.6	3.28	28.7	126
SSM-3-A250-L-138	3.8	3.44	31.2	138
SSM-3-A250-L-150	4.0	3.61	34.0	150

3"		3" High Flow Rate Cartridge		
Model Number	Pre-Set	Min. Delta P	Flow m ³ /h	Flow GPM
SSM-3-A250-H-31	0.6	3.34	7.0	31
SSM-3-A250-H-40	0.8	3.34	9.0	40
SSM-3-A250-H-48	1.0	3.34	11.0	48
SSM-3-A250-H-56	1.2	3.43	12.8	56
SSM-3-A250-H-64	1.4	3.49	14.5	64
SSM-3-A250-H-71	1.6	3.53	16.2	71
SSM-3-A250-H-79	1.8	3.57	18.0	79
SSM-3-A250-H-86	2.0	3.61	19.6	86
SSM-3-A250-H-94	2.2	3.68	21.4	94
SSM-3-A250-H-102	2.4	3.77	23.2	102
SSM-3-A250-H-111	2.6	3.91	25.1	111
SSM-3-A250-H-119	2.8	4.11	27.1	119
SSM-3-A250-H-129	3.0	4.39	29.3	129
SSM-3-A250-H-139	3.2	4.75	31.6	139
SSM-3-A250-H-150	3.4	5.19	34.1	150
SSM-3-A250-H-162	3.6	5.73	36.8	162
SSM-3-A250-H-175	3.8	6.39	39.8	175
SSM-3-A250-H-189	4.0	7.19	43.0	189

Note: Min. Delta P Available at Selected Flow Rate.
See Website for Specific Flow Rate Settings Calculator

Simple Set Max - Flow Rate Charts

4"		4" Low Flow Rate Cartridge		
Model Number	Pre-Set	Min. Delta P	Flow m ³ /h	Flow GPM
SSM-4-A250-L-53	0.6	2.75	12.1	53
SSM-4-A250-L-67	0.8	2.83	15.3	67
SSM-4-A250-L-80	1.0	2.9	18.1	80
SSM-4-A250-L-91	1.2	2.96	20.8	91
SSM-4-A250-L-102	1.4	3.02	23.2	102
SSM-4-A250-L-112	1.6	3.08	25.5	112
SSM-4-A250-L-122	1.8	3.13	27.8	122
SSM-4-A250-L-132	2.0	3.19	30.0	132
SSM-4-A250-L-143	2.2	3.25	32.4	143
SSM-4-A250-L-154	2.4	3.32	34.9	154
SSM-4-A250-L-166	2.6	3.4	37.6	166
SSM-4-A250-L-179	2.8	3.5	40.6	179
SSM-4-A250-L-194	3.0	3.63	44.0	194
SSM-4-A250-L-210	3.2	3.78	47.7	210
SSM-4-A250-L-229	3.4	3.98	51.9	229
SSM-4-A250-L-249	3.6	4.25	56.7	249
SSM-4-A250-L-273	3.8	4.6	62.0	273
SSM-4-A250-L-299	4.0	5.08	68.0	299

4"		4" High Flow Rate Cartridge		
Model Number	Pre-Set	Min. Delta P	Flow m ³ /h	Flow GPM
SSM-4-A250-H-65	0.6	4.14	14.8	65
SSM-4-A250-H-83	0.8	4.24	18.9	83
SSM-4-A250-H-99	1.0	4.35	22.6	99
SSM-4-A250-H-114	1.2	4.48	26.0	114
SSM-4-A250-H-128	1.4	4.61	29.1	128
SSM-4-A250-H-141	1.6	4.75	32.1	141
SSM-4-A250-H-154	1.8	4.91	35.1	154
SSM-4-A250-H-168	2.0	5.08	38.1	168
SSM-4-A250-H-181	2.2	5.27	41.2	181
SSM-4-A250-H-196	2.4	5.5	44.5	196
SSM-4-A250-H-212	2.6	5.78	48.2	212
SSM-4-A250-H-230	2.8	6.11	52.2	230
SSM-4-A250-H-250	3.0	6.52	56.7	250
SSM-4-A250-H-272	3.2	7.05	61.9	272
SSM-4-A250-H-298	3.4	7.7	67.7	298
SSM-4-A250-H-327	3.6	8.51	74.2	327
SSM-4-A250-H-360	3.8	9.56	81.7	360
SSM-4-A250-H-396	4.0	10.87	90.0	396

5"		5" Low Flow Rate Cartridge		
Model Number	Pre-Set	Min. Delta P	Flow m ³ /h	Flow GPM
SSM-5-A250-L-81	0.6	2.32	18.5	81
SSM-5-A250-L-104	0.8	2.32	23.6	104
SSM-5-A250-L-125	1.0	2.32	28.5	125
SSM-5-A250-L-147	1.2	2.39	33.3	147
SSM-5-A250-L-167	1.4	2.46	38.0	167
SSM-5-A250-L-188	1.6	2.51	42.6	188
SSM-5-A250-L-207	1.8	2.56	47.1	207
SSM-5-A250-L-227	2.0	2.61	51.5	227
SSM-5-A250-L-246	2.2	2.67	55.9	246
SSM-5-A250-L-266	2.4	2.73	60.4	266
SSM-5-A250-L-286	2.6	2.81	65.0	286
SSM-5-A250-L-308	2.8	2.91	69.8	308
SSM-5-A250-L-330	3.0	3.05	75.0	330
SSM-5-A250-L-355	3.2	3.23	80.6	355
SSM-5-A250-L-382	3.4	3.48	86.7	382
SSM-5-A250-L-412	3.6	3.83	93.6	412
SSM-5-A250-L-446	3.8	4.34	101.3	446
SSM-5-A250-L-484	4.0	5.08	110.0	484

5"		5" High Flow Rate Cartridge		
Model Number	Pre-Set	Min. Delta P	Flow m ³ /h	Flow GPM
SSM-5-A250-H-101	0.6	3.92	23.0	101
SSM-5-A250-H-132	0.8	3.92	29.9	132
SSM-5-A250-H-161	1.0	3.92	36.5	161
SSM-5-A250-H-188	1.2	3.99	42.8	188
SSM-5-A250-H-215	1.4	4.05	48.7	215
SSM-5-A250-H-240	1.6	4.1	54.5	240
SSM-5-A250-H-264	1.8	4.15	60.0	264
SSM-5-A250-H-288	2.0	4.21	65.5	288
SSM-5-A250-H-312	2.2	4.27	70.9	312
SSM-5-A250-H-336	2.4	4.35	76.4	336
SSM-5-A250-H-361	2.6	4.46	82.0	361
SSM-5-A250-H-387	2.8	4.6	87.8	387
SSM-5-A250-H-414	3.0	7.79	94.0	414
SSM-5-A250-H-443	3.2	5.05	100.7	443
SSM-5-A250-H-475	3.4	5.41	108.0	475
SSM-5-A250-H-511	3.6	5.92	116.0	511
SSM-5-A250-H-550	3.8	6.65	125.0	550
SSM-5-A250-H-594	4.0	7.69	135.0	594

Note: Min. Delta P Available at Selected Flow Rate.
See Website for Specific Flow Rate Settings Calculator

Simple Set Max - Flow Rate Charts

6"		6" Low Flow Rate Cartridge		
Model Number	Pre-Set	Min. Delta P	Flow m ³ /h	Flow GPM
SSM-6-A250-L-113	0.6	3.05	25.6	113
SSM-6-A250-L-143	0.8	3.05	32.6	143
SSM-6-A250-L-173	1.0	3.05	39.2	173
SSM-6-A250-L-201	1.2	3.05	45.6	201
SSM-6-A250-L-228	1.4	3.05	51.8	228
SSM-6-A250-L-255	1.6	3.05	58.0	255
SSM-6-A250-L-282	1.8	3.05	64.1	282
SSM-6-A250-L-310	2.0	3.19	70.4	310
SSM-6-A250-L-338	2.2	3.39	76.8	338
SSM-6-A250-L-367	2.4	3.61	83.4	367
SSM-6-A250-L-398	2.6	3.86	90.3	398
SSM-6-A250-L-429	2.8	4.11	97.5	429
SSM-6-A250-L-462	3.0	4.35	105.0	462
SSM-6-A250-L-497	3.2	4.58	112.9	497
SSM-6-A250-L-533	3.4	4.77	121.1	533
SSM-6-A250-L-571	3.6	4.93	129.7	571
SSM-6-A250-L-610	3.8	5.03	138.7	610
SSM-6-A250-L-652	4.0	5.08	148.0	652

6"		6" High Flow Rate Cartridge		
Model Number	Pre-Set	Min. Delta P	Flow m ³ /h	Flow GPM
SSM-6-A250-H-141	0.6	4.79	32.0	141
SSM-6-A250-H-182	0.8	4.79	41.3	182
SSM-6-A250-H-220	1.0	4.79	50.0	220
SSM-6-A250-H-256	1.2	4.79	58.2	256
SSM-6-A250-H-291	1.4	4.79	66.0	291
SSM-6-A250-H-324	1.6	4.79	73.7	324
SSM-6-A250-H-358	1.8	4.79	81.3	358
SSM-6-A250-H-392	2.0	4.93	89.0	392
SSM-6-A250-H-427	2.2	5.16	96.9	427
SSM-6-A250-H-463	2.4	5.46	105.2	463
SSM-6-A250-H-501	2.6	5.82	113.9	501
SSM-6-A250-H-542	2.8	6.23	123.1	542
SSM-6-A250-H-586	3.0	6.68	133.0	586
SSM-6-A250-H-632	3.2	7.14	143.6	632
SSM-6-A250-H-683	3.4	7.69	155.1	683
SSM-6-A250-H-737	3.6	8.23	167.4	737
SSM-6-A250-H-796	3.8	8.81	180.7	796
SSM-6-A250-H-859	4.0	9.44	195.0	859

8"		8" Low Flow Rate Cartridge		
Model Number	Pre-Set	Min. Delta P	Flow m ³ /h	Flow GPM
SSM-8-A250-L-418	1	1.6	95.2	418
SSM-8-A250-L-435	1.2	1.7	98.8	435
SSM-8-A250-L-460	1.4	1.8	104.5	460
SSM-8-A250-L-485	1.6	1.9	110.2	485
SSM-8-A250-L-515	1.8	2.1	117.0	515
SSM-8-A250-L-545	2	2.3	123.8	545
SSM-8-A250-L-575	2.2	2.5	130.6	575
SSM-8-A250-L-610	2.4	2.7	138.6	610
SSM-8-A250-L-640	2.6	2.9	145.4	640
SSM-8-A250-L-680	2.8	3.2	154.4	680
SSM-8-A250-L-720	3	3.4	163.5	720
SSM-8-A250-L-760	3.2	3.7	172.6	760
SSM-8-A250-L-795	3.4	3.9	180.6	795
SSM-8-A250-L-835	3.6	4.2	189.7	835
SSM-8-A250-L-875	3.8	4.4	198.7	875
SSM-8-A250-L-925	4	4.6	209.9	925

8"		8" High Flow Rate Cartridge		
Model Number	Pre-Set	Min. Delta P	Flow m ³ /h	Flow GPM
SSM-8-A250-H-572	1	4.5	130.1	572
SSM-8-A250-H-598	1.2	5	135.8	598
SSM-8-A250-H-630	1.4	5	143.1	630
SSM-8-A250-H-664	1.6	5	150.8	664
SSM-8-A250-H-702	1.8	5	159.4	702
SSM-8-A250-H-739	2	6	167.9	739
SSM-8-A250-H-779	2.2	6	176.9	779
SSM-8-A250-H-823	2.4	7	186.9	823
SSM-8-A250-H-865	2.6	7	196.5	865
SSM-8-A250-H-910	2.8	8	206.7	910
SSM-8-A250-H-957	3	9	217.4	957
SSM-8-A250-H-1008	3.2	9	228.9	1008
SSM-8-A250-H-1058	3.4	10	240.3	1058
SSM-8-A250-H-1109	3.6	10	251.9	1109
SSM-8-A250-H-1164	3.8	11	264.4	1164
SSM-8-A250-H-1233	4	11	279.8	1233

Note: Min. Delta P Available at Selected Flow Rate.
See Website for Specific Flow Rate Settings Calculator

Simple Set Max - Flow Rate Charts

10"		10" Low Flow Rate Cartridge		
Model Number	Pre-Set	Min. Delta P	Flow m ³ /h	Flow GPM
SSM-10-A250-L-837	1	1.5	190.1	837
SSM-10-A250-L-900	1.2	1.5	204.4	900
SSM-10-A250-L-960	1.4	1.6	218.0	960
SSM-10-A250-L-1020	1.6	1.7	231.7	1020
SSM-10-A250-L-1075	1.8	1.9	244.2	1075
SSM-10-A250-L-1135	2	2.1	257.8	1135
SSM-10-A250-L-1195	2.2	2.4	271.4	1195
SSM-10-A250-L-1255	2.4	2.6	285.0	1255
SSM-10-A250-L-1325	2.6	2.9	300.9	1325
SSM-10-A250-L-1400	2.8	3.3	318.0	1400
SSM-10-A250-L-1480	3	3.6	336.1	1480
SSM-10-A250-L-1570	3.2	3.9	356.6	1570
SSM-10-A250-L-1680	3.4	3.4	381.6	1680
SSM-10-A250-L-1795	3.6	4.5	407.7	1795
SSM-10-A250-L-1930	3.8	4.8	438.4	1930
SSM-10-A250-L-2091	4	5.1	474.9	2091

10"		10" High Flow Rate Cartridge		
Model Number	Pre-Set	Min. Delta P	Flow m ³ /h	Flow GPM
SSM-10-A250-H-1079	1	2.18	245.1	1079
SSM-10-A250-H-1118	1.2	2.3	253.9	1118
SSM-10-A250-H-1178	1.4	2.5	267.6	1178
SSM-10-A250-H-1246	1.6	2.8	283.0	1246
SSM-10-A250-H-1330	1.8	3.1	302.1	1330
SSM-10-A250-H-1420	2	3.6	322.5	1420
SSM-10-A250-H-1515	2.2	4.1	344.1	1515
SSM-10-A250-H-1620	2.4	4.6	367.9	1620
SSM-10-A250-H-1730	2.6	5.2	392.9	1730
SSM-10-A250-H-1845	2.8	5.8	419.1	1845
SSM-10-A250-H-1965	3	6.4	446.3	1965
SSM-10-A250-H-2090	3.2	7.1	474.7	2090
SSM-10-A250-H-2220	3.4	7.8	504.2	2220
SSM-10-A250-H-2355	3.6	8.6	534.9	2355
SSM-10-A250-H-2490	3.8	9.3	565.5	2490
SSM-10-A250-H-2642	4	10.2	599.8	2642

12"		12" Low Flow Rate Cartridge		
Model Number	Pre-Set	Min. Delta P	Flow m ³ /h	Flow GPM
SSM-12-A250-L-837	1	1.5	190.1	837
SSM-12-A250-L-895	1.2	1.5	203.3	895
SSM-12-A250-L-955	1.4	1.6	216.9	955
SSM-12-A250-L-1015	1.6	1.7	230.5	1015
SSM-12-A250-L-1075	1.8	1.8	244.2	1075
SSM-12-A250-L-1130	2	2.1	256.7	1130
SSM-12-A250-L-1195	2.2	2.4	271.4	1195
SSM-12-A250-L-1255	2.4	2.6	285.0	1255
SSM-12-A250-L-1325	2.6	2.9	300.9	1325
SSM-12-A250-L-1400	2.8	3.3	318.0	1400
SSM-12-A250-L-1480	3	3.6	336.1	1480
SSM-12-A250-L-1570	3.2	3.2	356.6	1570
SSM-12-A250-L-1680	3.4	4.2	381.6	1680
SSM-12-A250-L-1795	3.6	4.5	407.7	1795
SSM-12-A250-L-1930	3.8	4.8	438.4	1930
SSM-12-A250-L-2091	4	5.1	474.9	2091

12"		12" High Flow Rate Cartridge		
Model Number	Pre-Set	Min. Delta P	Flow m ³ /h	Flow GPM
SSM-12-A250-H-1079	1	2.2	245.1	1079
SSM-12-A250-H-1118	1.2	2.3	253.9	1118
SSM-12-A250-H-1178	1.4	2.5	267.6	1178
SSM-12-A250-H-1248	1.6	2.8	283.5	1248
SSM-12-A250-H-1330	1.8	3.1	302.1	1330
SSM-12-A250-H-1418	2	3.6	322.1	1418
SSM-12-A250-H-1515	2.2	4.1	344.1	1515
SSM-12-A250-H-1618	2.4	4.6	367.5	1618
SSM-12-A250-H-1730	2.6	5.2	392.9	1730
SSM-12-A250-H-1847	2.8	5.8	419.5	1847
SSM-12-A250-H-1969	3	6.5	447.2	1969
SSM-12-A250-H-2090	3.2	7.1	474.7	2090
SSM-12-A250-H-2225	3.4	7.9	505.4	2225
SSM-12-A250-H-2350	3.6	8.6	533.7	2350
SSM-12-A250-H-2490	3.8	9.3	565.5	2490
SSM-12-A250-H-2642	4	10.2	599.8	2642

Note: Min. Delta P Available at Selected Flow Rate.
See Website for Specific Flow Rate Settings Calculator